

大规模定制 | 个性化服务

Mass Customization | Personalized Service.

**435-550W Mono**  
182mm Cell . 120 - Cell Layout

25  
years  
POWER  
WARRANTY

12  
years  
PRODUCT  
WARRANTY



## 产品优势 Product advantage

### 高功率输出:

60片多晶组件输出功率最高至285WP。  
The max power output of 60 cell can be up to 285wp.

### 温度系数:

更好的温度系数使组件在高温下功率衰减更少。  
Better the temperature coefficient of components under high temperature power attenuation less.

### 弱光性能:

通过使用出色的玻璃及电池片的表面制绒技术,以达到在弱光环境下获得优异的环境。  
By using excellent glass and battery surface texturing technology, in order to achieve excellent environment under the low light environment.

### 载荷能力:

整体组件通过2400Pa的风载荷及5400Pa的雪载荷认证。  
Integral component by the approval of 2400pa wind load and 5400pa snow load.

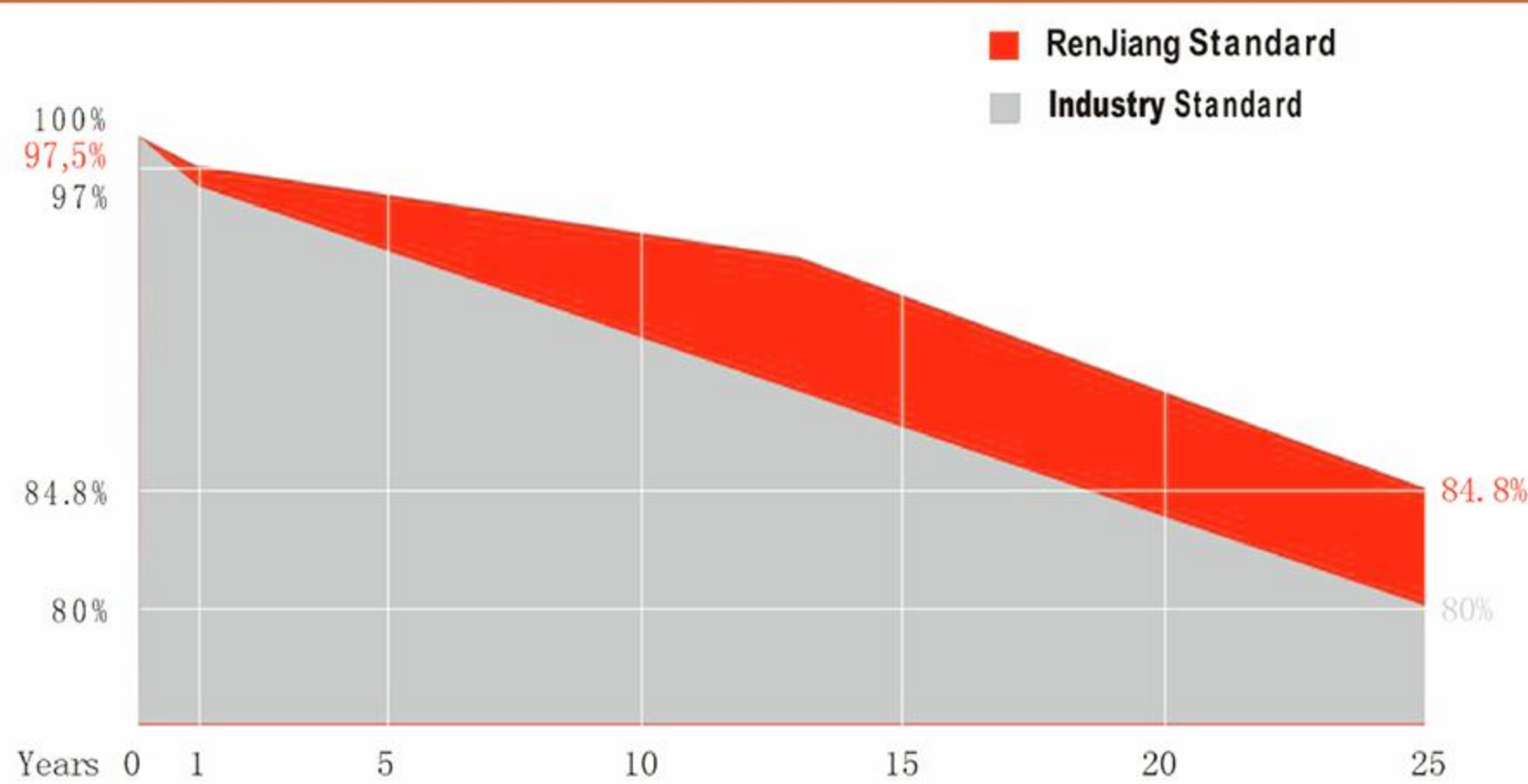
### 严酷环境的适应性:

独有的电路设计降低热斑温度,减少功率损失,提高组件发电量。  
The unique circuit design reduces the hot spot temperature and reduces the power loss, and improves the power generation of the module.

### 抗PID保证:

可保证规模化生产的Eagle组件在60℃/85%的条件下,PID(电势诱导衰减)现象造成的衰减率降至最小。  
Guaranteeing the Eagle components of large-scale production under the condition of 60℃/85%, PID (potential) induced attenuation phenomenon caused by the attenuation rate fell to a minimum.

## Linear performance Warranty

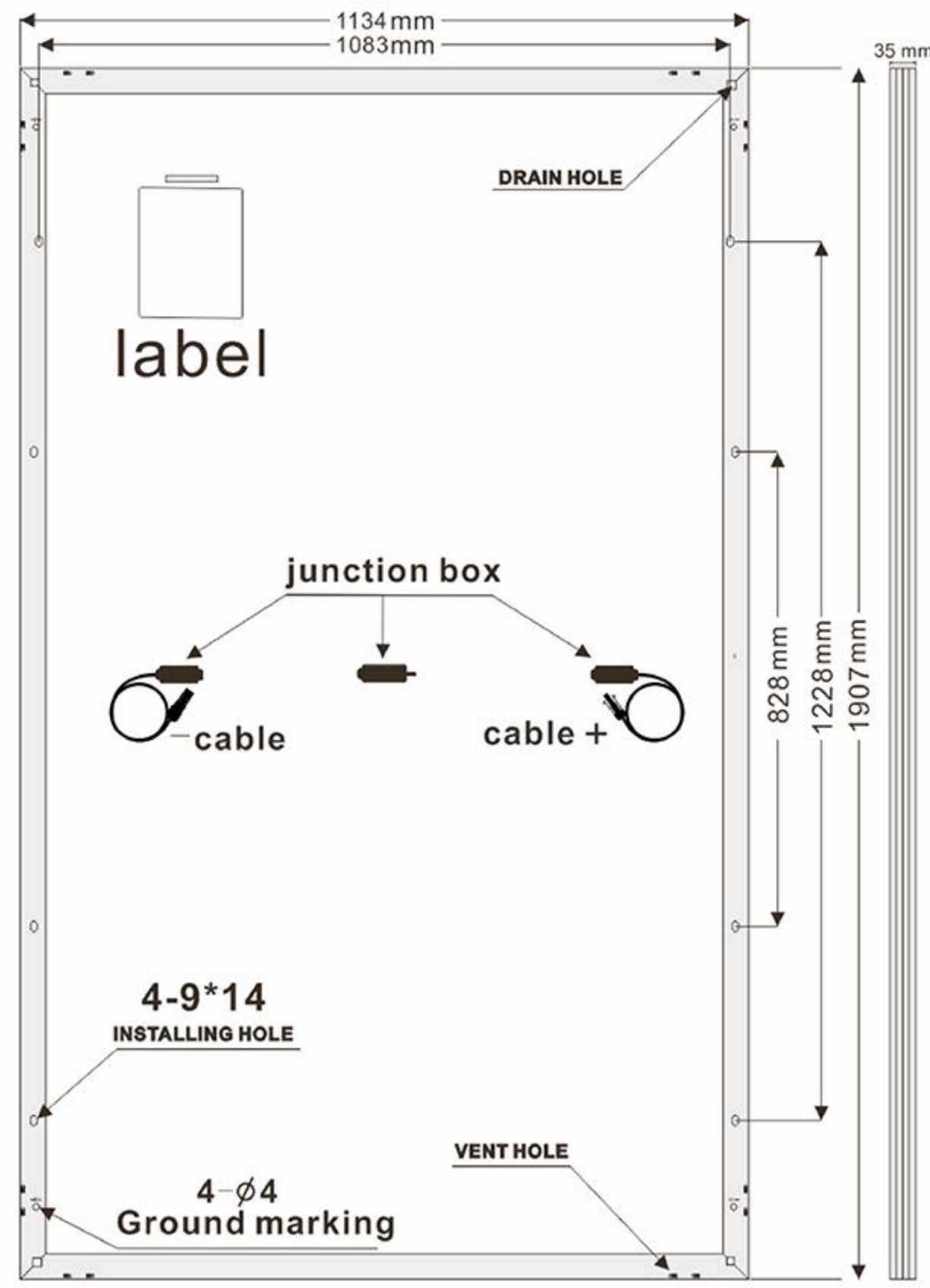


## Comprehensive Certificates

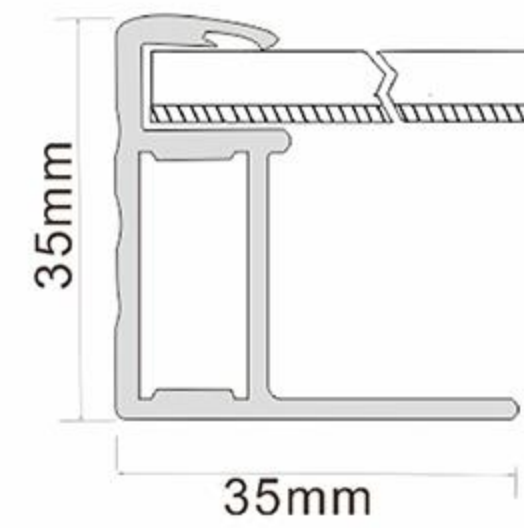
- ISO9001:2015 QMS
- ISO14001:2015 EMS
- ISO45001:2018 OHSMS
- IEC61215/IEC61730 Standard quality



## 产品装配图 Product assembly drawing

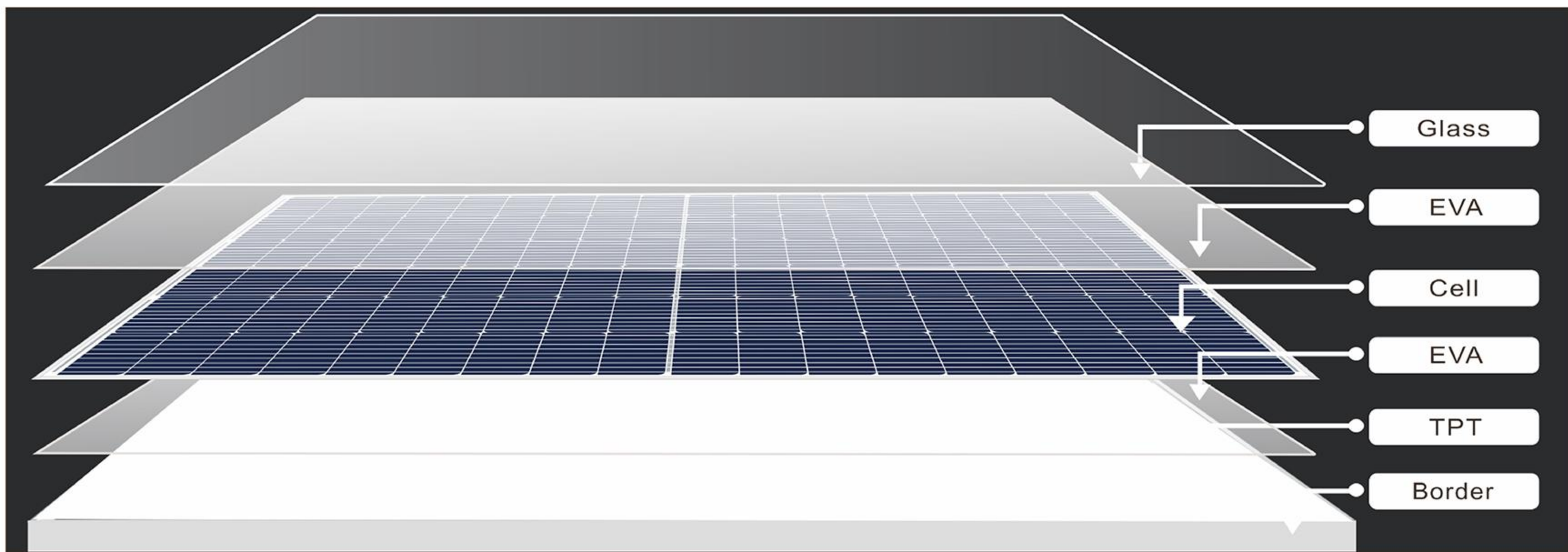
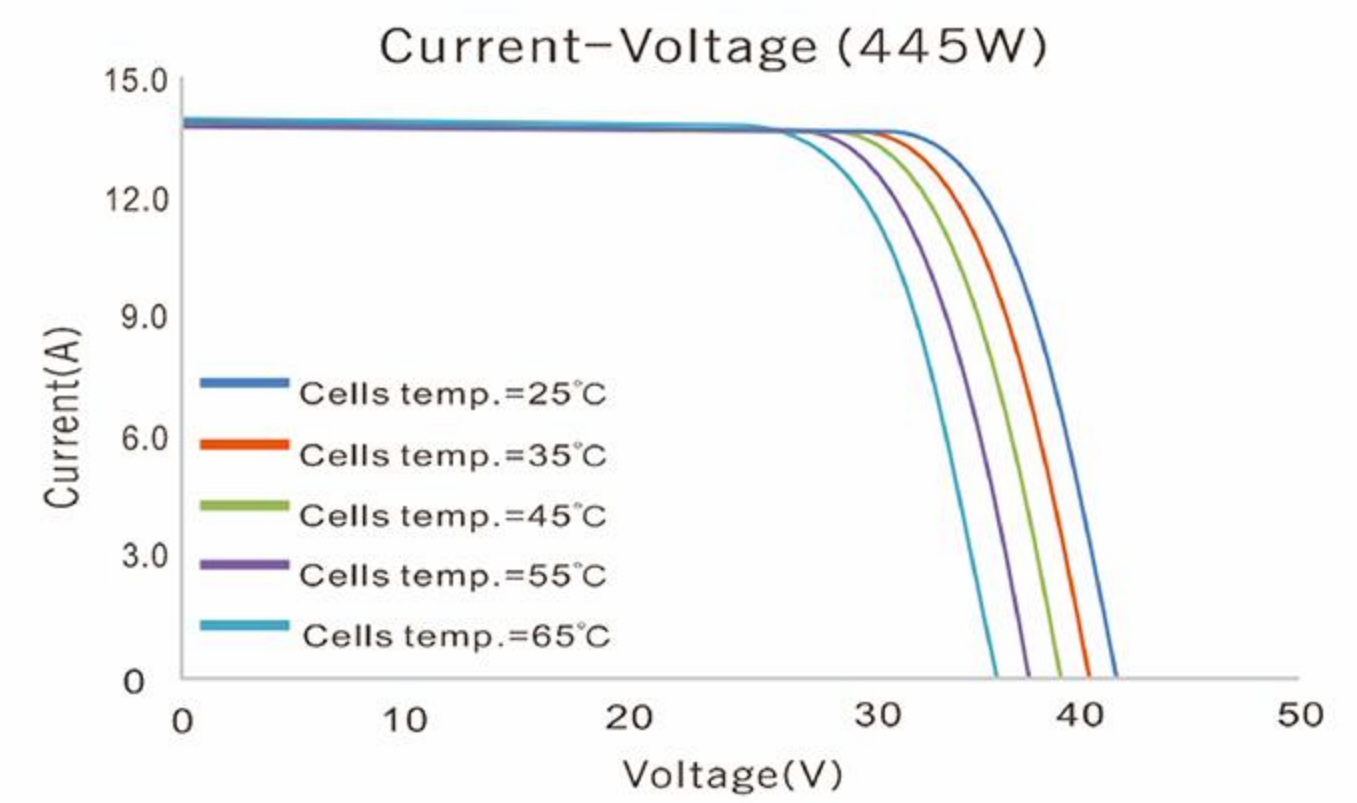
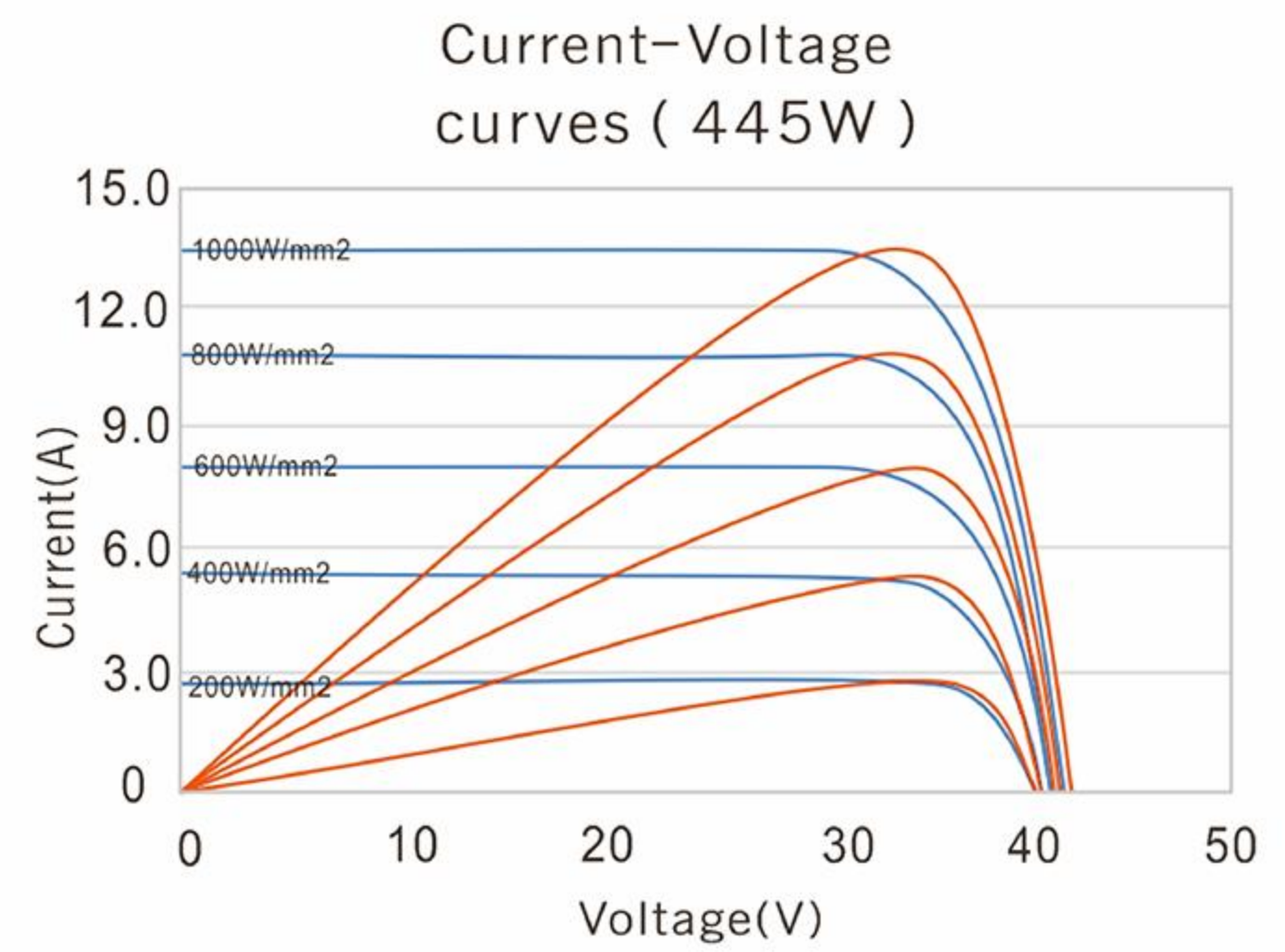


背面图  
back view



剖面图  
cross-section view

## 曲线图 Diagram



## 电性能参数 Electrical performance parameters

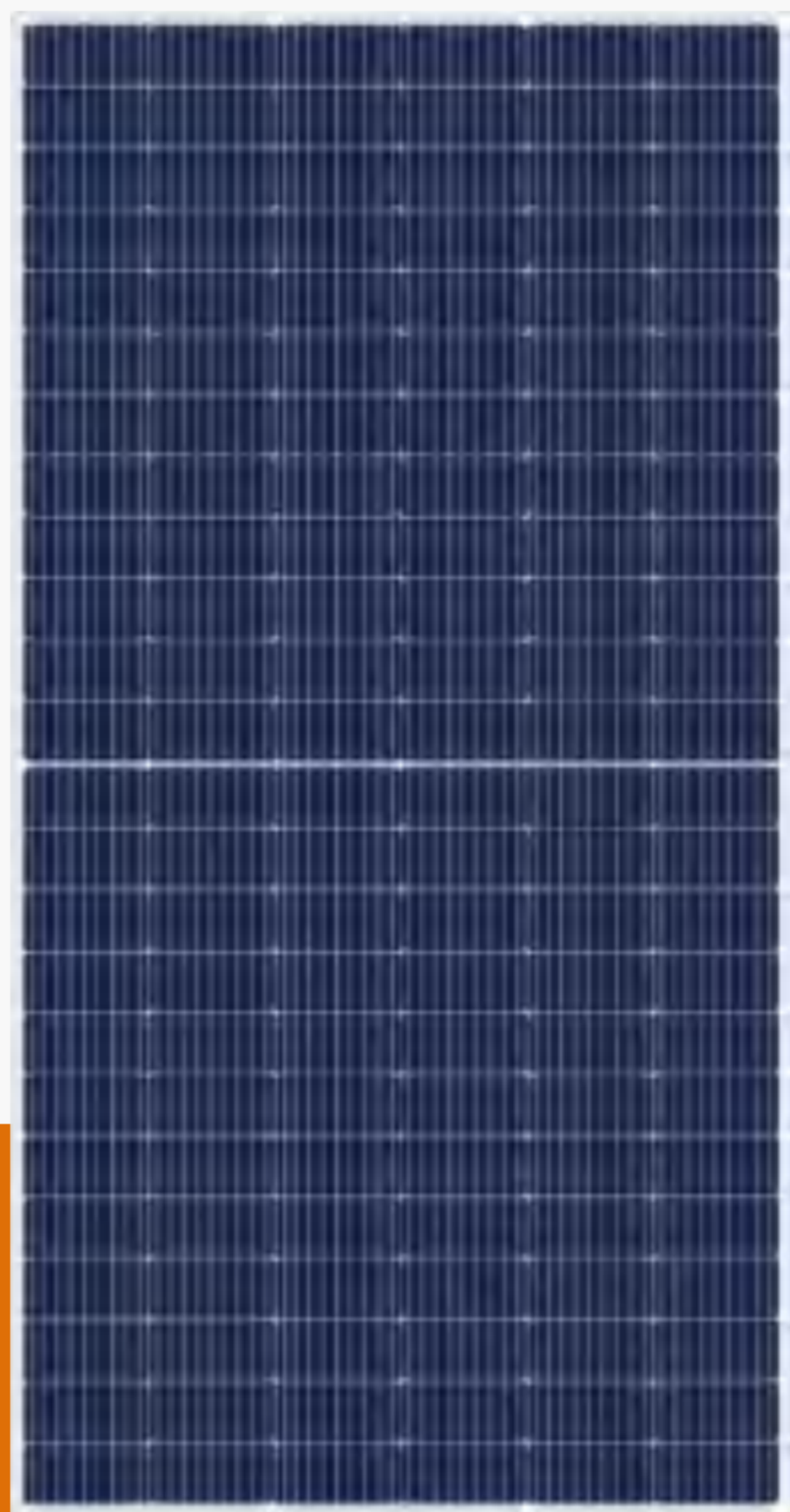
Type family:	xxxM12 (xxx=445, in steps of 120 cells)			
Pmp [W]	Voc [V]	Isc [A]	Vmp [V]	Imp [A]
Tolerance of rating [%]: ±3				
RJ445M12-120	41.91	13.55	35.12	12.67

## 主要技术参数 Main technical parameters

开路电压温度系数 Temperature Coefficient of Voc	-0.25%/°C	标准测试条件 Standard Test Conditions	1000W/m <sup>2</sup> ; 25°C; AM1.5
短路电流温度系数 Temperature Coefficient of Isc	+0.04%/°C	最大串联保险丝额定值 Maximum Series Fuse Rating (A)	20
功率温度系数 Temperature Coefficient of Power	-0.34%/°C	重量 Weight (kg)	25.5
组件电池额定工作温度 NOCT	43±2°C	组件尺寸 Dimensions (LxWxH) (mm)	1907x1134x35
组件工作温度范围 Working Temperature Range	-40°C ~ +85°C	包装方式 The packing way	31 pcs/包
最大系统电压 Maximum System Voltage (V)	1500	每40英尺集装箱装载容量 40HQ Container Loading Capacity	744 片

# 主打产品 >>

## Main product



### RJ-M10-182(6x12+6x12)

#### 550W144片半片单晶太阳能光伏组件



### 高功率输出:

144 片半片单晶组件输出功率最高至550 WP。  
144 pieces of half-piece mono crystal component output power is up to 550 wp.

### 温度系数:

更好的温度系数使组件在高温下功率衰减更少。  
Better the temperature coefficient of components under high temperature power attenuation less.

### 弱光性能:

通过使用出色的玻璃及电池片的表面制绒技术，以达到在弱光环境下获得优异的环境。  
By using excellent glass and battery surface texturing technology, in order to achieve excellent environment under the low light environment.

### 载荷能力:

整体组件通过 2400Pa 的风载荷及 5400Pa 的雪载荷认证。  
Integral component by the approval of 2400pa wind load and 5400pa snow load.

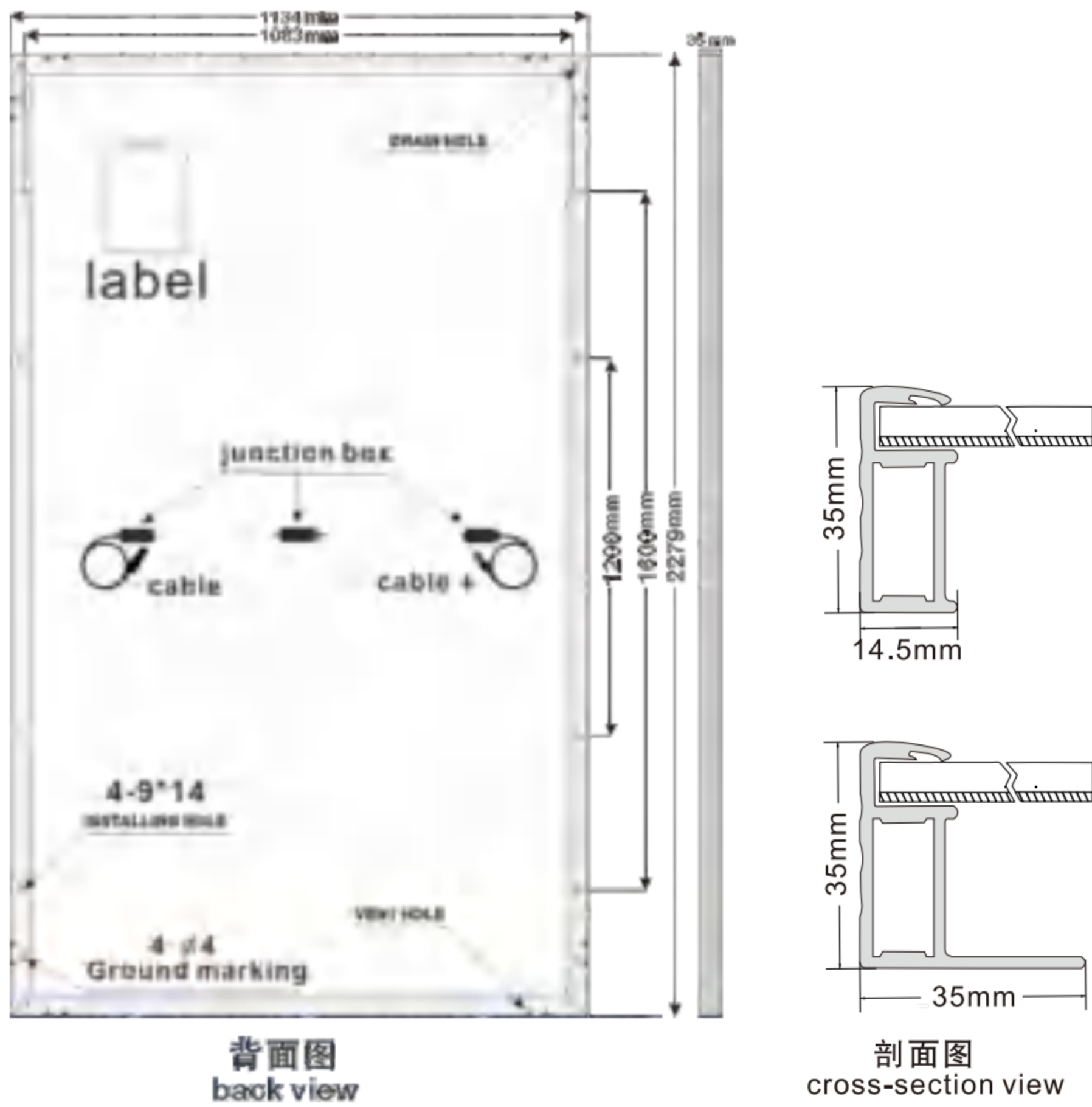
### 严酷环境的适应性:

独有的电路设计降低热斑温度，减少功率损失，提高组件发电量。  
The unique circuit design reduces the hot spot temperature and reduces the power loss, and improves the power generation of the module.

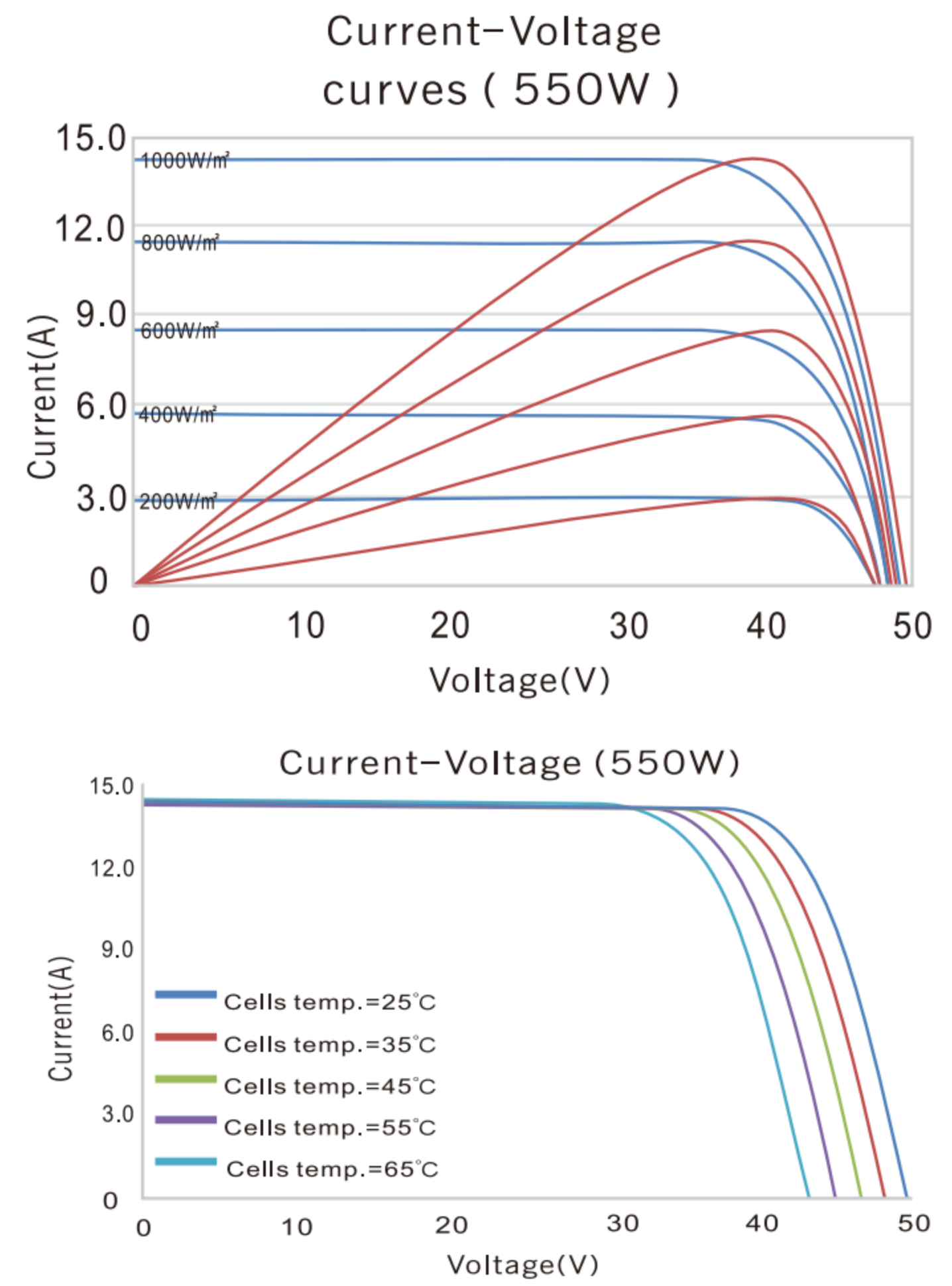
### 抗PID保证:

可保证规模化生产的 Eagie 组件在 60℃ /85% 的条件下，PID（电势诱导衰减）现象造成的衰减几率降至最小。  
Guaranteeing the Eagie components of large-scale production under the condition of 60 °C / 85%, PID (potential) induced attenuation phenomenon caused by the attenuation rate fell to a minimum.

## 产品装配图 Product assembly drawing



## 曲线图 Diagram



## 电性能参数 Electrical performance parameters

## 产品尺寸 Product Size: 2279x1134x35mm

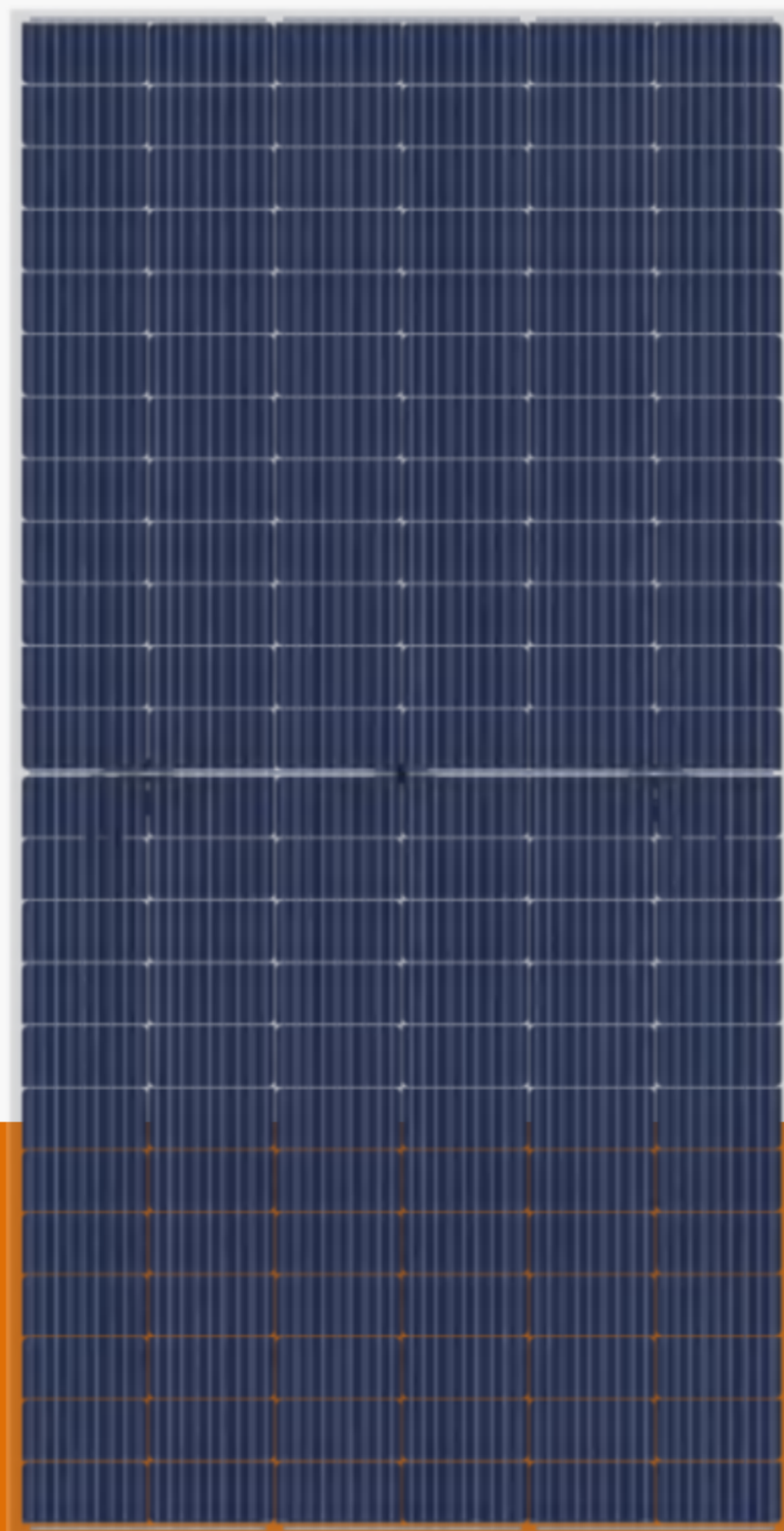
Type family:

RJxxxM10-144(xxx=510-550, in steps of 5W, 144 cells)

Pmp [W] Tolerance of rating [%]: ±3	Voc [V]	Isc [A]	Vmp [V]	Imp [A]
RJ510M10-144	48.79	13.40	40.73	12.52
RJ515M10-144	48.91	13.49	40.88	12.60
RJ520M10-144	49.03	13.58	41.01	12.68
RJ525M10-144	49.15	13.65	41.15	12.76
RJ530M10-144	49.30	13.72	41.31	12.83
RJ535M10-144	49.45	13.79	41.47	12.90
RJ540M10-144	49.60	13.86	41.64	12.97
RJ545M10-144	49.75	13.93	41.80	13.04
RJ550M10-144	49.90	14.00	41.96	13.11

# 主打产品 >>

## Main product



### RJ-M10-182(6x12+6x12) 550W144片双玻半片单晶太阳能光伏组件



#### 高功率输出:

144 片双玻半片单晶组件输出功率最高至550 WP。  
144 cells (half cell )double glass Mono solar panel,  
maximum power can reach 550wp.

#### 温度系数:

更好的温度系数使组件在高温下功率衰减更少。  
Better the temperature coefficient of components  
under high temperature power attenuation less.

#### 弱光性能:

通过使用出色的玻璃及电池片的表面制绒技术，以达到  
在弱光环境下获得优异的环境。

By using excellent glass and battery surface  
texturing technology,in order to achieve excellent  
environment under the low light environment.

#### 载荷能力:

整体组件通过 2400Pa 的风载荷及 5400Pa 的雪载荷认证。  
Integral component by the approval of 2400pa wind load and  
5400pa snow load.

#### 严酷环境的适应性:

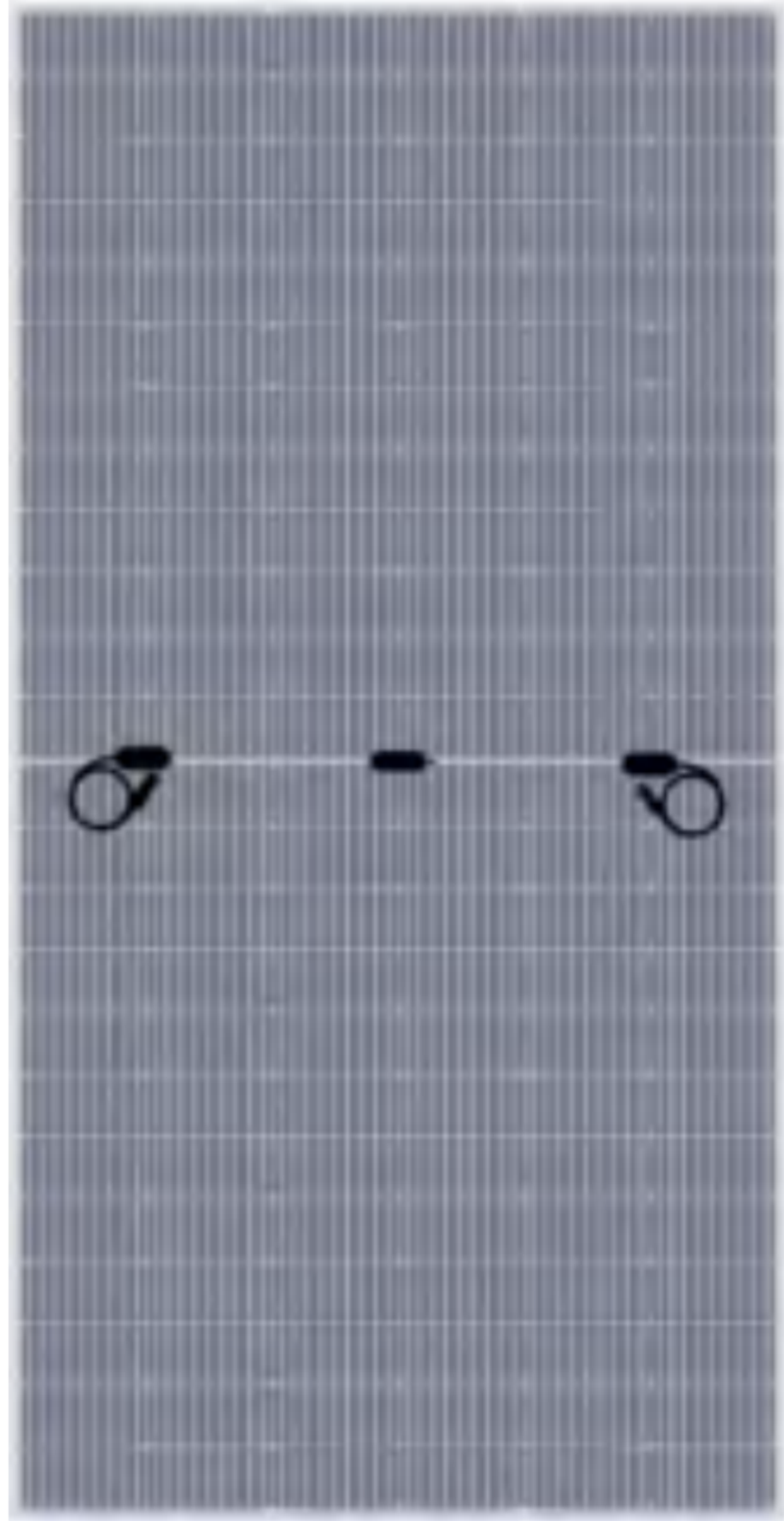
独有的电路设计降低热斑温度，减少功率损失,提高组件发电量。  
The unique circuit design reduces the hot spot temperature  
and reduces the power loss, and improves the power  
generation of the module.

#### 抗PID保证:

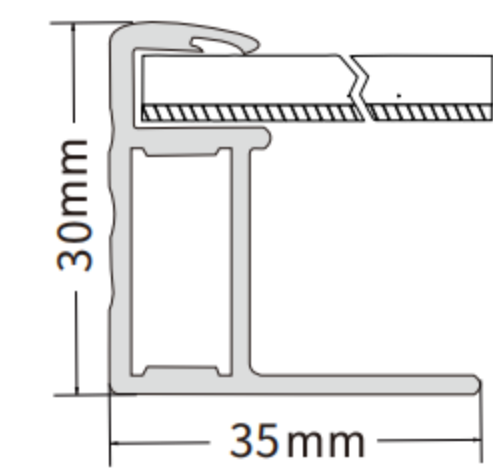
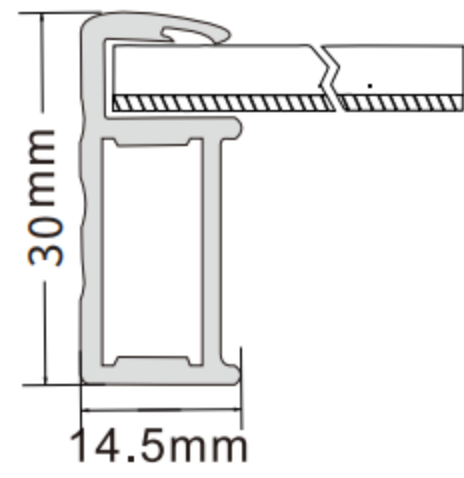
可保证规模化生产的 Eagie 组件在 60℃ /85% 的条件下，  
PID (电势诱导衰减) 现象造成的衰减几率降至最小。

Guaranteeing the Eagie components of large-scale  
production under the condition of 60 °C / 85%, PID (potential)  
induced attenuation phenomenon caused by the attenuation  
rate fell to a minimum.

产品装配图 Product assembly drawing

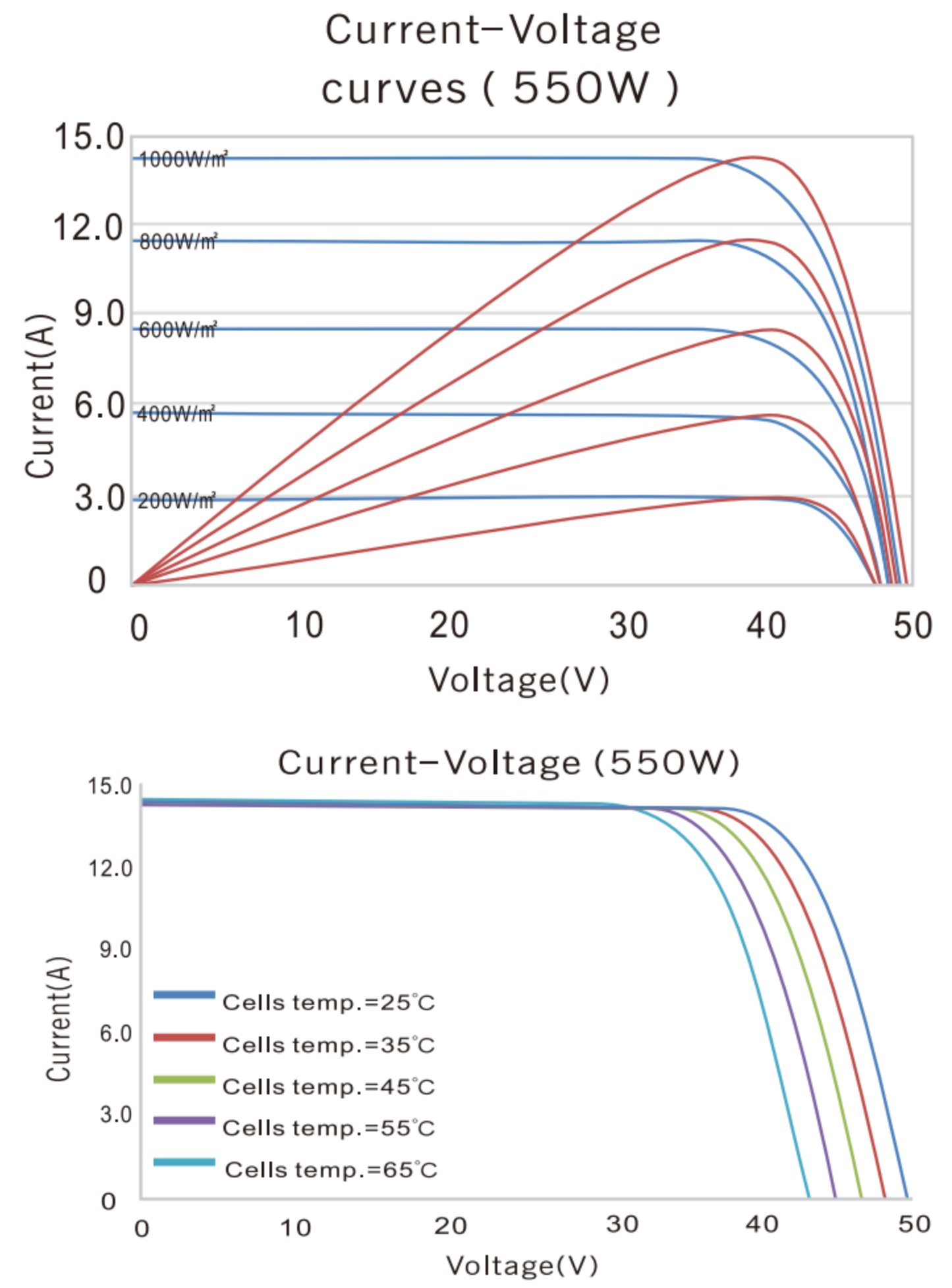


背面图



剖面图  
cross-section view

曲线图 Diagram



电性能参数 Electrical performance parameters

产品尺寸 Product Size : 2279x1134x30mm

Type family:

RJxxxM10-144( xxx=510-550, in steps of 5W, 144 cells)

Pmp [W]  
Tolerance of rating [%]: ±3

Voc [V]

Isc [A]

Vmp [V]

Imp [A]

RJ510M10-144

48.79

13.40

40.73

12.52

RJ515M10-144

48.91

13.49

40.88

12.60

RJ520M10-144

49.03

13.58

41.01

12.68

RJ525M10-144

49.15

13.65

41.15

12.76

RJ530M10-144

49.30

13.72

41.31

12.83

RJ535M10-144

49.45

13.79

41.47

12.90

RJ540M10-144

49.60

13.86

41.64

12.97

RJ545M10-144

49.75

13.93

41.80

13.04

RJ550M10-144

49.90

14.00

41.96

13.11